

MB400 Industrial Pressure Transmitter



Features

- LCD and LED indicator optional;
- Reverse signal polarity; moment overcurrent, overvoltage and Interference protection;
- Anti- lightning, Anti- jamming;
- Optional signal output;
- Customized design is acceptable.

Introduction

MB400 Industrial Pressure Transmitter adopts piezoresistive OEM all-welded pressure sensor as a sensing element and the amplifier circuit transforms sensor signal into standard output signal. Through long-term aging and stability testing, its performance is stable and reliable.

Widely used in process control field of petroleum, chemical industry, metallurgy, engineering machinery, hydraulic/pneumatic systems, power, boiler, automatic checkout system, shipping, railway transportation, natural gas etc.

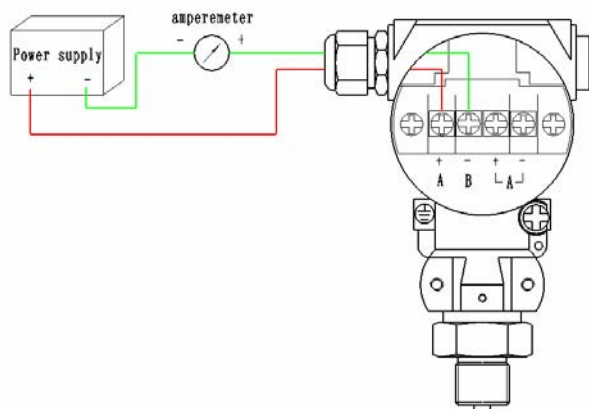
Specification

Pressure Type	Gauge pressure, Absolute pressure, Sealed gauge pressure.							
Medium	Liquid ,gas,vapor ,which are compatible with SUS304							
Pressure range(MPa)	-0.1	1	1.6	6	10	20	40	60 or customized
Pressure range (bar)	-1	10	16	60	100	200	400	600 or customized
Pressure range (psi)	-14.5	300	700	900	2k	4k	8k	or customized
Overload range	200%FS							
Bursting pressure	300%FS							
Power Supply	(9~36)VDC							
Output signal	(0~5)V,		(1~5)V,			(4~20)mA		
Transmitting	2-wires,		3-wires,			3-wires,		
Load	$\leq(U-15)/0.02\Omega$,		> 100k,			> 100k		
Vibration	10~500Hz 25g							
Shock resistance	50g 11ms							
Accuracy	$\pm 0.5\%$ FS							
Zero temp.drift	$\pm 0.03\%$ FS/°C							

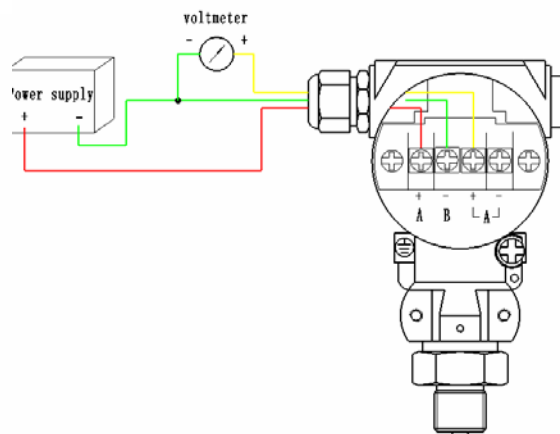
FS temp.drift	$\pm 0.03\% \text{ FS}/^{\circ}\text{C}$
Long-term stability	$\pm 0.2\% \text{ FS}/\text{Y}$
Insulation resistance	250 M Ω /250V
Medium temp.	(-40~125) $^{\circ}\text{C}$
Operation temp.	(-40~80) $^{\circ}\text{C}$
Storage temp.	(-40~125) $^{\circ}\text{C}$
Compensated temp.	(-10 ~ 70) $^{\circ}\text{C}$
Housing	SUS304
Diaphragm	SS316L
O-ring	Viton
Protection	IP67

Electrical Connection

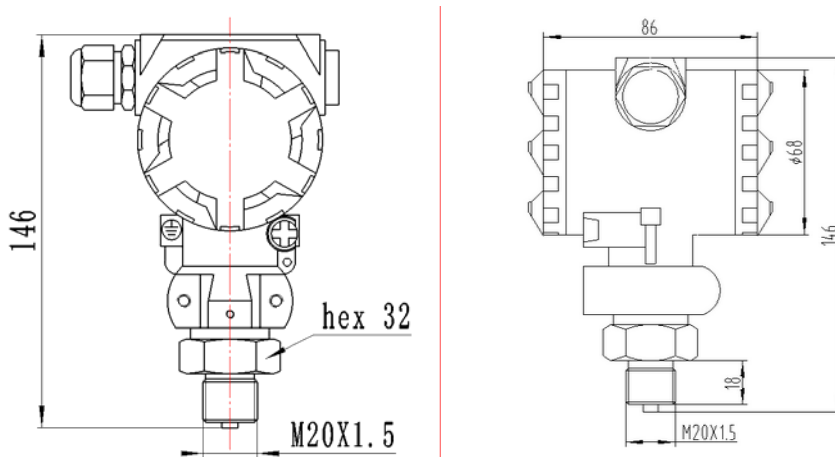
2-wires、4~20mA output:



3-wires、0~5V or 1~5V output:



Outline Structure (Unit:mm)



Order Guide

MB400	Industrial Pressure Transmitter									
	-0.1~60MPa	Pressure range(Unit:Mpa,kpa,psi,bar etc.)								
		Code	Pressure reference							
		A	Absolute pressure							
		G	Gauge pressure							
		S	Sealed gauge pressure							
		Code	Excitation							
		V1	24V							
		V2	12V							
		V3	others (please specify)							
		Code	Output signal							
		S1	4~20mA							
		S2	1~5V							
		S3	0~5V							
		S4	others (please specify)							
		Code	Pressure connection							
		C1	M20*1.5							
		C2	G1/2"							
		C3	others (please specify)							
		Code	Electrical connection							
		J1	direct cable connection							
		J2	others (please specify)							
		Code	Accuracy							
		P1	0.1%FS							
		P2	0.25%FS							
		P3	0.5%FS(typ.)							
		P4	1%FS							
			S	Others(Please specify)						
MB400	0~1MPa	G	V1	S1	C1	J1	P3	S		

Order Note

1. Please note lightning-protection in the order if the transmitter is installed in lightning-thunder area;we suggest to install lightning protection device to protect transducer and power;
2. When you select the pressure range for the transmitter,please consider about actual measuring pressure and possible elevation pressure.The max.measure pressure had better to be in the pressure range,we would finish pressure elevation in our factory;
3. The transmitter should be installed to pressure port vertically,and indicator should be installed horizontal to operator;
4. When environment temperature is over rated value,please protect LCD indicator.
5. All specifications are subject to change.Contact Gaohua for specifications and engineering drawings that are critical to your application.Drawings contained in this document are for reference only.